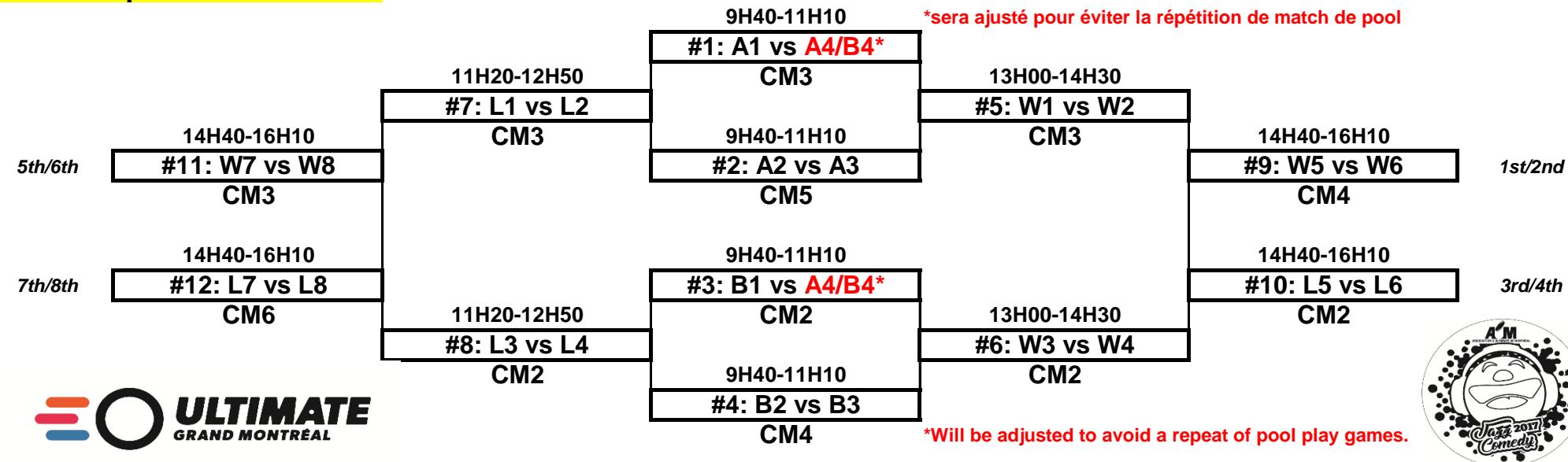


Rang du dimanche

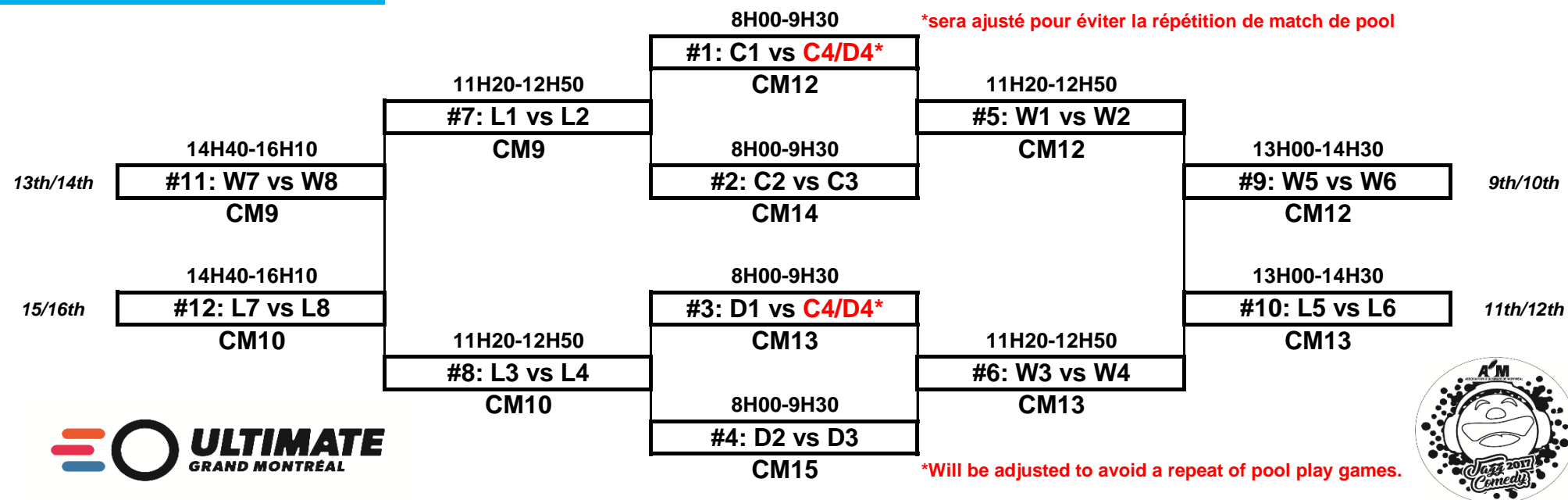
Sunday Rank

	A	B	C	D	
1	1	2	9	10	1
2	4	3	12	11	2
3	5	6	13	14	3
4	8	7	16	15	4

Top8 Bracket



9-16 Bracket



**17-22 Bracket**

	<b>E</b>	<b>F</b>	
1	17	18	1
2	20	19	2
3	21	22	3

Match 1	
8H00-9H30	
CM11	
E1	F2

Match 4	
11H20-12H50	
CM11	
Winner #1	Winner #3

Match 7	
13H00-14H30	
CM11	
Winner #4	Winner #5

17th-18th

Match 2	
8H00-9H30	
CM8	
F1	E3

Match 5	
9H40-11H10	
CM11	
Winner #2	Loser #1

Match 8	
13H00-14H30	
CM10	
Loser #4	Winner #6

19th-20th

Match 3	
9H40-11H10	
CM8	
E2	F3

Match 6	
11H20-12H50	
CM8	
Loser #2	Loser #3

Match 9	
13H00-14H30	
CM9	
Loser #5	Loser #6

21st-22nd

