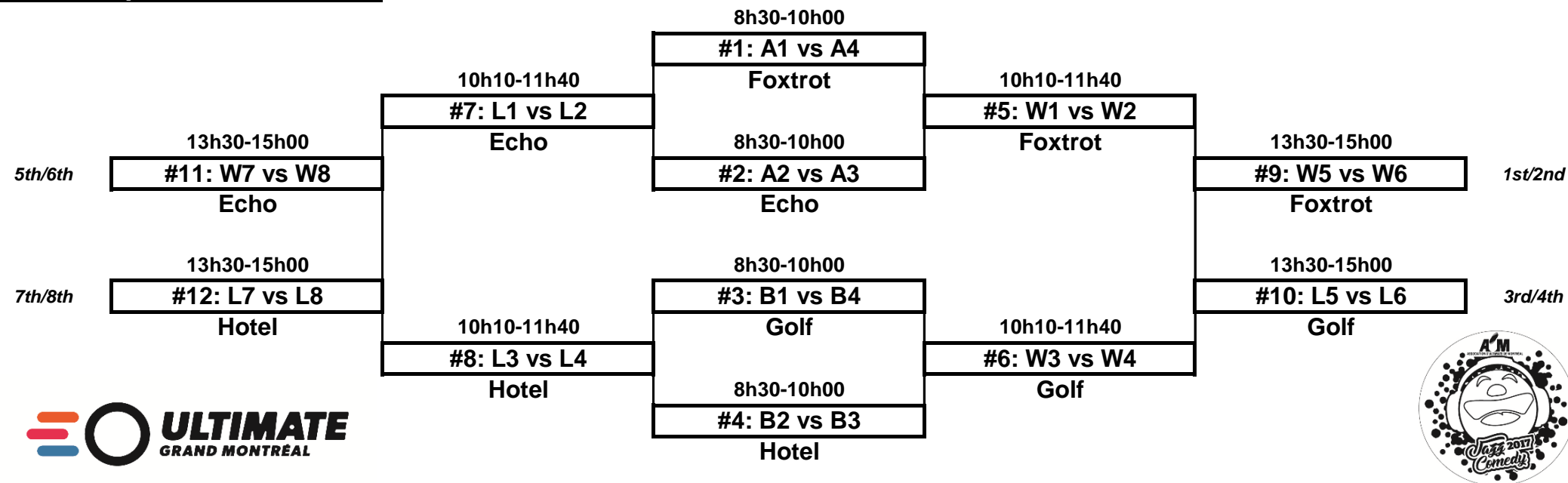


Rang du dimanche Sunday Rank

	A	B	C	
1	1	2	9	1
2	4	3	10	2
3	5	6	11	3
4	8	7	12	4
			13	5

Top8 Bracket



9-13 Round-Robin

	Alpha	Charlie
8h30-10h00	C1C4	
10h10-11h40	C1C5	C2C4
11h50-13h20	C1C3	C2C5
13h30-15h00	C3C4	
15h10-16h40	C3C5	C1C2*
Reclassement pour position finale 9-13		

*C1C2 is only played if there is an upset in the B3C3 cross-over on Saturday. If not, results from Saturday carry on.
 **C4C5 isn't played. Results from Saturday carry on.
 ***C2C3 isn't played. Results from Saturday carry on.

